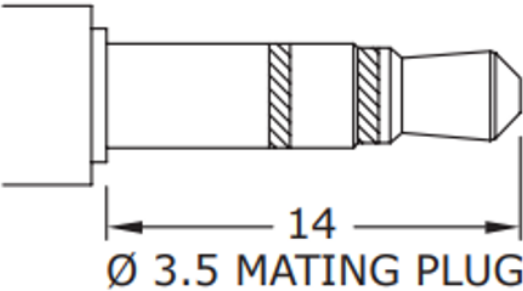
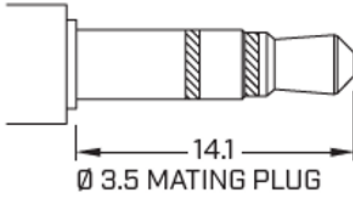


PREVIOUS CUI DEVICES DETAIL / IMAGE			NEW CUI DEVICES DETAIL / IMAGE		
	MATERIAL	PLATING	DESCRIPTION	MATERIAL	PLATING/COLOR
terminal 1	brass	tin	terminal 1	brass	silver
terminal 2	brass	tin	terminal 2	phosphor bronze	silver
terminal 3	brass	tin	terminal 3	phosphor bronze	silver
terminal 4	brass	tin	terminal 4	brass	silver
terminal 5	brass	tin	terminal 5	brass	silver
spring	stainless steel		spring	stainless steel	nickel
bushing	brass	nickel	bushing	brass H59	nickel
shield	cold rolled steel	nickel	shield	SPCC t=0.30	nickel
plastic	PBT		housing	PBT (UL94V-0)	black



14
Ø 3.5 MATING PLUG



14.1
Ø 3.5 MATING PLUG

Affected Date Code: *02/08/2023*

Product Availability: *Pertaining to market availability*

PCN Approval:

Operations/Quality



Product Management

