

Product Change Notice (PCN)

Date: 02/25/2022

PCN Number: PCN-0450370R-01

To Our Customers:

We appreciate your use of our products. Our commitment in maintaining and improving processes is demonstrated by plans to enhance our product quality, reliability, and manufacturability. The purpose of this notice is to inform you of a product change.

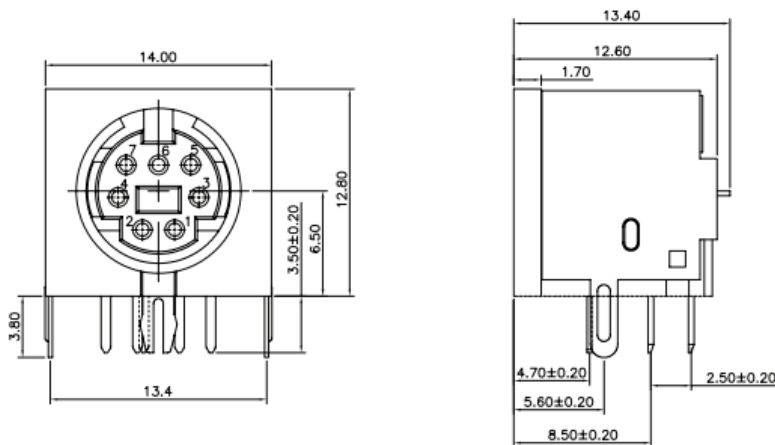
Product(s) Affected: MD-30SM, MD-40SM, MD-50SM, MD-60SM, MD-70SM, MD-80SM, MD-90SM

Reason(s) for Change: New factory location and tooling. To enhance product reliability and production consistency.

Functionality: Changes are within specified tolerances.

Description of Change: Small dimensional changes, shown in the drawing below

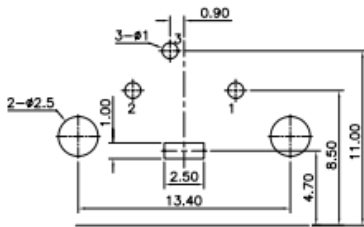
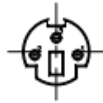
OLD



CUI DEVICES

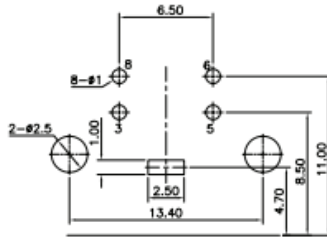
6405 SW Rosewood St, Ste C
Lake Oswego, OR 97035

MD-30SM



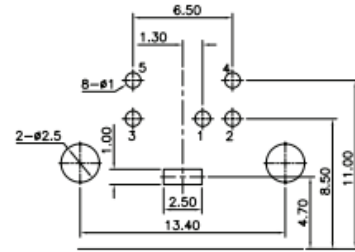
Recommended PCB Layout
Top View

MD-40SM



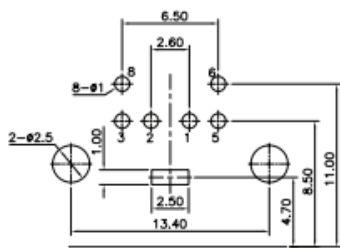
Recommended PCB Layout
Top View

MD-50SM



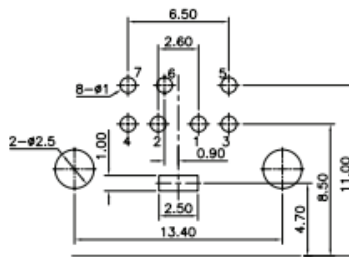
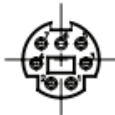
Recommended PCB Layout
Top View

MD-60SM



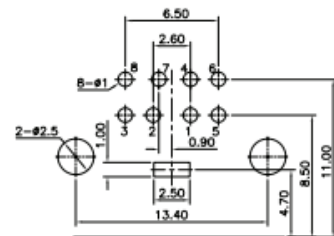
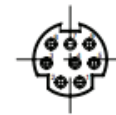
Recommended PCB Layout
Top View

MD-70SM



Recommended PCB Layout
Top View

MD-80SM

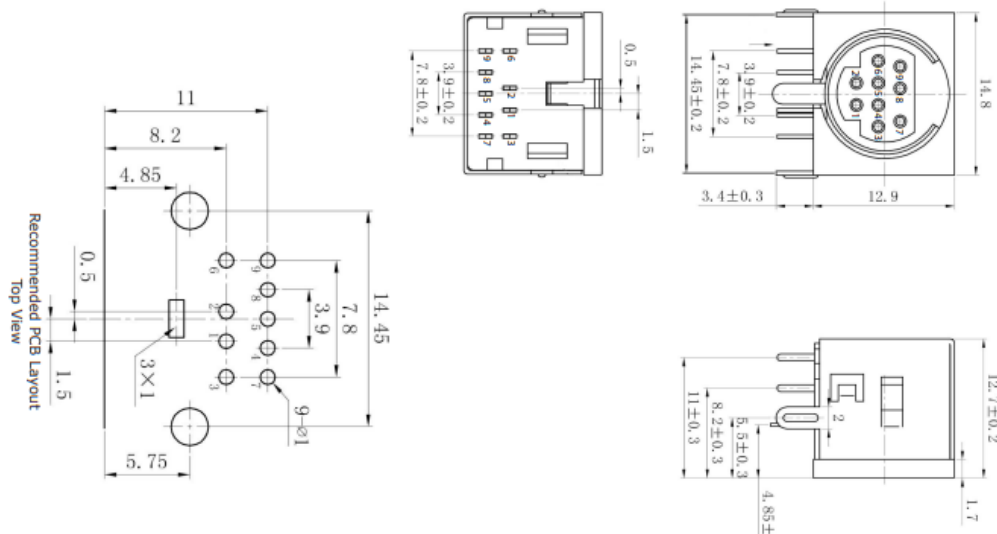


Recommended PCB Layout
Top View

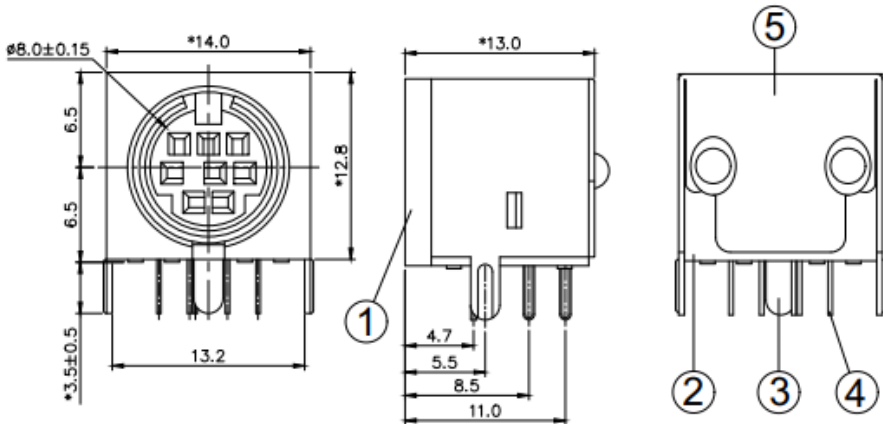
CUI DEVICES

6405 SW Rosewood St, Ste C
Lake Oswego, OR 97035

MD-90SM



NEW

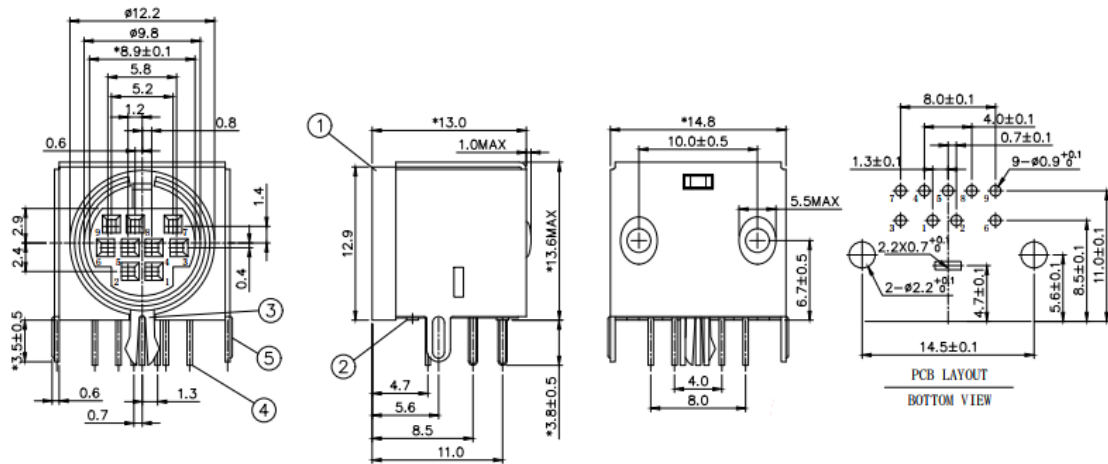


ARRANGEMENT OF CONTACTS	NO OF CONTACTS	HOLE LAYOUT
	3	
	4	
	5	
	6	
	7	
	8	

CUI DEVICES

6405 SW Rosewood St, Ste C
Lake Oswego, OR 97035

MD-90SM



Affected Date Code: 02/25/2022
Product Availability: pertaining to market availability

PCN Approval:

Operations/Quality

Product Management