

## Product Change Notice (PCN)

Date: 07/19/2023

PCN Number: PCN-045-1166R-01

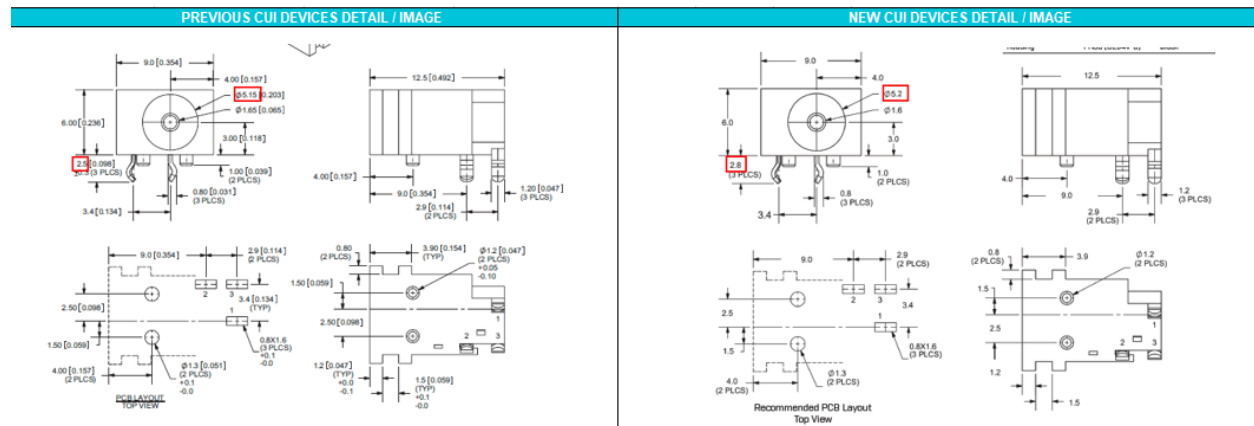
To Our Customers:

We appreciate your use of our products. Our commitment in maintaining and improving processes is demonstrated by plans to enhance our product quality, reliability, and manufacturability. The purpose of this notice is to inform you of a product change.

Product(s) Affected: PJ-042

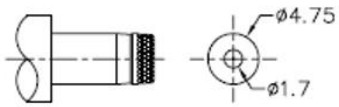
Reason(s) for Change: *Manufacturing Improvement process. Tooling Upgrade*

Description of Change: *Minor Structural and material Difference. See image Below*

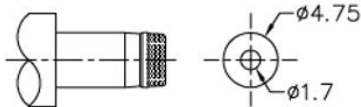


PREVIOUS CUI DEVICES DETAIL / IMAGE			NEW CUI DEVICES DETAIL / IMAGE		
	MATERIAL	PLATING	DESCRIPTION	MATERIAL	PLATING/COLOR
center pin	brass	tin	center pin	brass	tin
terminal 1	brass	tin	terminal 1	brass	tin
terminal 2	copper alloy	tin	terminal 2	phosphor bronze t=0.3	tin
terminal 3	brass	tin	terminal 3	brass t=0.3	tin
plastic	PA66		housing	PA66 (UL94V-0)	black



MATING PLUG  
Jack Insertion Depth: 8.00 mm



MATING PLUG  
Jack Insertion Depth: 7.8 mm

Affected Date Code: **07/10/2023**

Product Availability: *Pertaining to market availability*

PCN Approval:

Operations/Quality



Product Management

