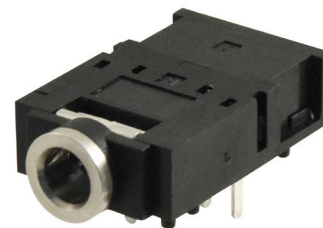
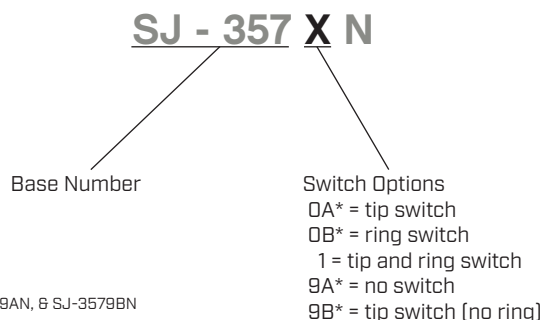


SERIES: SJ-357XN | **DESCRIPTION:** AUDIO JACK

FEATURES

- PCB mount
- stereo
- right angle with isolated DPDT switch
- non-threaded
- plastic bushing on model SJ-3579AN, metal bushing on all other models


PART NUMBER KEY


Notes: *Discontinued models SJ-3570AN, SJ-3570BN, SJ-3579AN, & SJ-3579BN

SPECIFICATIONS

| parameter | conditions/description | min | typ | max | units |
|----------------------------|---|-----|-------|----------|----------|
| rated input voltage | | | 12 | | Vdc |
| rated input current | | | | 1 | A |
| contact resistance | between terminal and mating plug between terminal in a closed circuit ¹ | | | 50 30 | mΩ mΩ |
| insulation resistance | at 500 Vdc | 100 | | | MΩ |
| voltage withstand | at 50/60Hz for 1 minute | | | 500 | Vac |
| insertion/withdrawal force | | 0.3 | | 3 | kg |
| operating temperature | | -25 | | 85 | °C |
| life | | | 5,000 | | cycles |
| flammability rating | UL94V-0 | | | | |
| RoHS | yes | | | | |

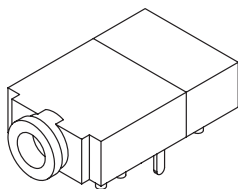
Notes: 1. When measured at a current of less than 100 mA / 1 kHz
2. All specifications measured at 10-35°C, humidity at 45-85%, under standard atmospheric pressure, unless otherwise noted.

SOLDERABILITY

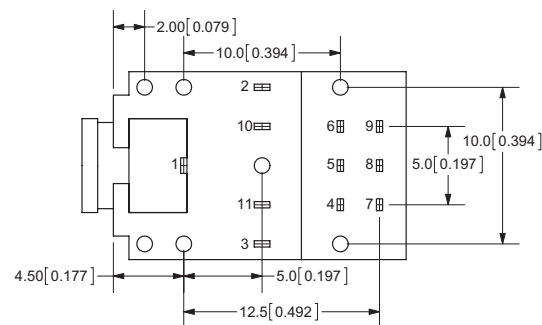
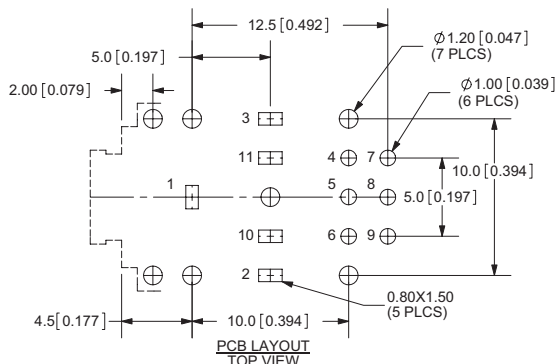
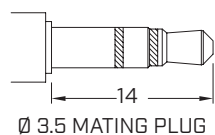
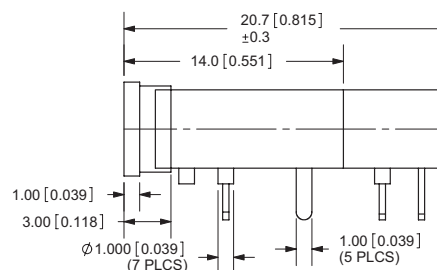
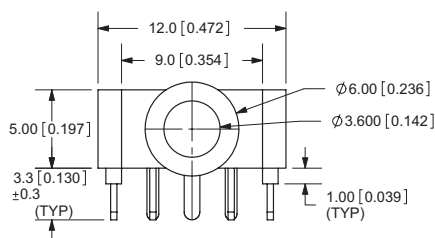
| parameter | conditions/description | min | typ | max | units |
|----------------|--|-----|-----|-----|-------|
| wave soldering | dipped in solder pot for 5 ±0.5 seconds at | 255 | 260 | 265 | °C |

MECHANICAL DRAWING

units: mm [inches]
 tolerance: X.X=±0.2 mm
 X.XX=±0.1 mm
 X.XXX=±0.05 mm



| | MATERIAL | PLATING |
|----------------------------|-----------------|---------|
| terminals 1, 3 | copper alloy | silver |
| terminal 2 | stainless steel | silver |
| terminals 4-9 | brass | silver |
| terminal 10-11 | brass | silver |
| bushing (SJ-3579AN) | PA66 | |
| bushing (all other models) | brass | nickel |
| plastic | PA66 | |
| contact clip | C5210 | silver |



| Model No. | SJ-3570AN | SJ-3570BN | SJ-3571N | SJ-3579AN ³ | SJ-3579BN |
|-----------|-----------------------|-----------------------|-----------------------|------------------------|-----------------------|
| SCHEMATIC | | | | | |
| | Plug Not Inserted | Plug Not Inserted | Plug Not Inserted | Plug Not Inserted | Plug Not Inserted |
| | Plug Inserted | Plug Inserted | Plug Inserted | Plug Inserted | Plug Inserted |
| PIN | | | | | |
| 1 | sleeve | sleeve | sleeve | sleeve | sleeve |
| 2 | tip | tip | tip | tip | tip |
| 3 | ring | ring | ring | ring | NP |
| 10 | tip switch | NP | tip switch | NP | tip switch |
| 11 | NP | ring switch | ring switch | NP | NP |

Note: 3. Model SJ-3579AN has plastic bushing

REVISION HISTORY

| rev. | description | date |
|------|--|------------|
| 1.0 | initial release | 03/01/2006 |
| 1.01 | new template applied | 02/22/2012 |
| 1.02 | changed material of terminal 2 to be stainless steel | 04/05/2016 |
| 1.03 | changed terminal plating to silver | 02/13/2019 |
| 1.04 | brand update | 10/10/2019 |
| 1.05 | updated bushing details on model SJ-3579AN | 03/02/2020 |
| 1.06 | discontinued models SJ-3570AN, SJ-3570BN, SJ-3579AN, & SJ-3579BN; logo, datasheet style update | 08/15/2022 |

The revision history provided is for informational purposes only and is believed to be accurate.



CUI Devices offers a one (1) year limited warranty. Complete warranty information is listed on our website.

CUI Devices reserves the right to make changes to the product at any time without notice. Information provided by CUI Devices is believed to be accurate and reliable. However, no responsibility is assumed by CUI Devices for its use, nor for any infringements of patents or other rights of third parties which may result from its use.

CUI Devices products are not authorized or warranted for use as critical components in equipment that requires an extremely high level of reliability. A critical component is any component of a life support device or system whose failure to perform can be reasonably expected to cause the failure of the life support device or system, or to affect its safety or effectiveness.

cuidevices.com